

# 1135 SERIES WIRELESS SIREN

## Installation Guide

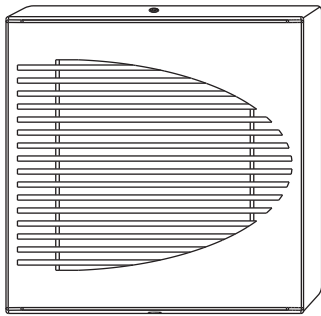


Figure 1: 1135 Wireless Siren

### DESCRIPTION

The 1135 Series Wireless Siren provides up to 110 decibels of annunciation.

The 1135 includes a wall and cover tamper, Survey LED operation, and two batteries. Multiple sirens can be activated simultaneously by the panel using the Trip with Panel Bell option. This option allows the siren to follow the panel bell output including the bell cutoff time.

The 1135E Wireless Siren also features 128-bit AES encryption.

### Compatibility

- 1100X Series Wireless Receiver
- 1100D Series Wireless Receiver
- XT30/XT50 Series Panels
- XTLplus/XTLtouch Series Panels
- XR150/XR550 Series Panels

### What is Included?


- One 1135 Series Wireless Siren
- Two 3.0 V Lithium CR123A Batteries
- Hardware Pack



## 1 PROGRAM THE PANEL

Refer to the panel programming guide as needed.

1. In **OUTPUT INFORMATION**, enter the wireless **OUTPUT NO:** and press **CMD**.
2. Enter the **OUTPUT NAME** and press **CMD**.
3. Enter the eight-digit **SERIAL#** and press **CMD**.
4. Enter the **SUPRVSN TIME** and press **CMD**.
5. Set the **TRIP WITH PANEL BELL** option to **YES**.
6. Set **BELL CUTOFF** to 1-15 minutes.

 **Note:** Outputs operate with a 3 second response time when used with the 1135-W.

7. In **SYSTEM OPTIONS**, at **1100 ENCRYPTION**, select **ALL** to only add encrypted wireless devices to the system. Select **BOTH** to allow both encrypted and non-encrypted wireless devices to be programmed.
8. The default passphrase appears at **ENTER PASSPHRASE**. Press **CMD** to keep the default. Press any select key or area to change the passphrase and enter an 8-character hexadecimal string (0-9, A-F).

## 2 INSTALL THE BATTERIES

Before installing the batteries, program the siren's output number in the panel and connect the receiver. Observe polarity when installing the two CR123A batteries. See Figure 2.

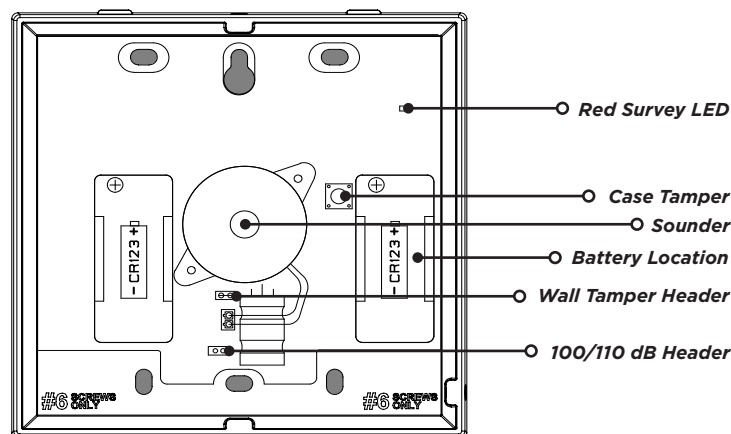


Figure 2: Mounting Holes and PCB Features

# 3 SELECT A LOCATION

The 1135 provides a Survey LED capability to allow one person to confirm communication with the wireless receiver or panel while the cover is removed.

1. With the cover removed, hold the siren in the exact desired location.
2. Press the case tamper switch to send data to the panel and determine if communication is confirmed or faulty.
  - ✓ **Confirmed:** If communication is confirmed, for each press or release of the tamper switch, the LED blinks immediately on and immediately off.
  - ✗ **Faulty:** If communication is faulty, the LED remains on for about 8 seconds or flashes multiple times in quick succession. Relocate the siren or receiver until the LED confirms clear communication.

# 4 MOUNT THE 1135

Mount the siren away from metal objects. Do not install the siren within four feet of the panel as the RF gain of the transmitter may inhibit proper communication.

## *Standard Installation*

1. Remove the cover from the 1135.
2. If using screws, place the supplied #6 screws into the mounting holes and secure the siren to the surface. If using double-sided tape, place the siren on the surface.
3. Place the cover back into place and secure the housing using the two locking screws.

## *Commercial Installation*

1. With the cover already removed, remove the PCB from the housing to access the wall tamper screw hole.
2. Mount the housing on a flat wall. Use one of the provided screws to anchor the housing through the wall tamper screw hole. See Figure 3 for the wall tamper screw hole location.
3. Place the supplied #6 screws into the mounting holes and secure the siren to the surface.
4. Snap the PCB back into the housing attached to the wall.
5. Place the cover back into place and secure the housing using the the two locking screws.

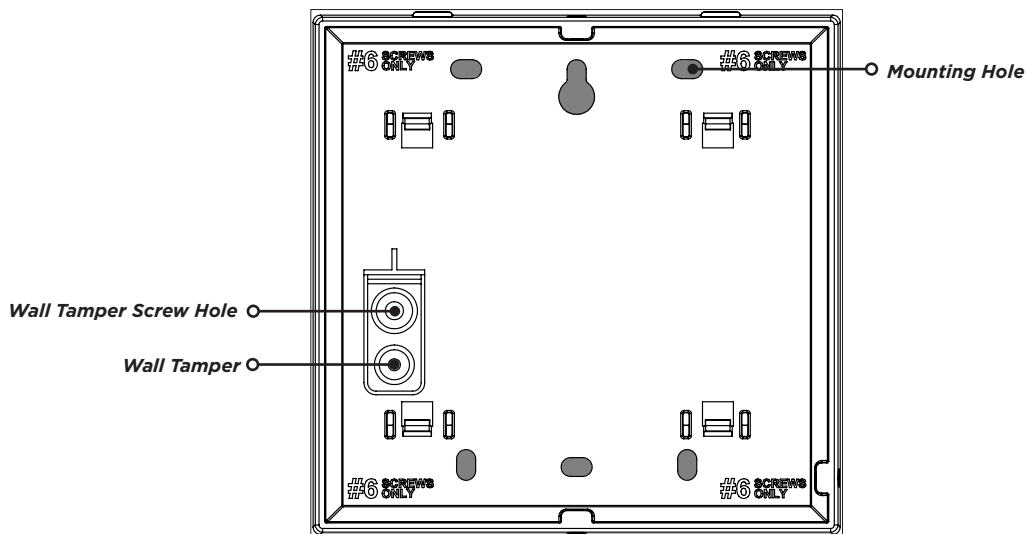


Figure 3: Wall Tamper

## **ADDITIONAL INFORMATION**

### ***Wall Tamper***

A two-position header is provided to disable the wall tamper. Refer to Figure 2. To disable the wall tamper, place the jumper across the two pins of the header.

### ***100/110 Decibel Jumper***

The siren is equipped with a 100/110 decibel (dB) jumper and a two-position header to change the decibel output. The siren is shipped at the 110 dB output level with the jumper placed on one pin for storage. If the 100 dB setting is required, place the jumper over both header pins. Refer to Figure 2.

### ***Battery Life Expectancy***

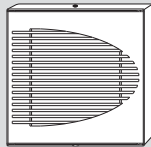
Battery life expectancy for the siren is 3 years when the siren is operated for 5 minutes once a month.

DMP wireless equipment uses two-way communication to extend battery life. To extend battery life further, operate the siren infrequently and extend supervision time in panel programming. Multiple on/off siren operations and extreme hot or cold environments will reduce battery life.

### **Replacing the Battery**

1. Remove the locking screws from the top and bottom of the siren housing.
2. Lift the cover from the bottom to remove it from the base.
3. Remove the old batteries and dispose of them properly. Always replace both batteries at the same time.
4. Install the two CR123 batteries and press into place. Refer to Figure 2 for battery locations.
5. Place the cover back onto the base and secure the housing using the locking screws.

## 1135 SERIES WIRELESS SIREN



### Specifications

#### Battery

Life Expectancy 3 years

Type 3.0 V lithium CR123A

Internal Sounder Type Y

Tone Output 100 dBA at 1 meter

Frequency Range 905-924 MHz

Housing Material Flame retardant ABS

Dimensions 11.4 L x 11.4 W x 3.2 H cm

4.5" L x 4.5" W x 1.25" W

Color White

### Patents

U. S. Patent No. 7,239,236

### Certifications

FCC Part 15 ID: CCKPC0123R8

Industry Canada: 5251A-PC0123R8

Underwriters Laboratory Listed:

ANSI/UL 1023 Household Burglar Alarm System Units

ANSI/UL 1610 Central Station Burglar Alarm Units

ANSI/UL 985 Household Fire Warning System



Designed, engineered, and manufactured in Springfield, MO using U.S. and global components.

LT-1106 19261 1.06

**INTRUSION • FIRE • ACCESS • NETWORKS**

2500 North Partnership Boulevard

Springfield, Missouri 65803-8877

417.831.9362 | [DMP.com](http://DMP.com)