

Installation Instructions

General Information

The Communication Modules allow the Lyric Controller to communicate with the Central Station via the cellular radio network. The Lyric LTE series includes the following models:

- LYRICLTE-A (US, AT&T network) **[NOTE: Use LYRICLTE-A in Lyric Controllers with firmware version V01.03.06548.482 or later]**
- LYRICLTE-C (Canada)
- LYRICLTE-V (US, Verizon network) **[NOTE: Use LYRICLTE-V in Lyric Controllers with firmware version V01.09.07745.491 or later]**

FIRST TIME INSTALLATION NOTES:

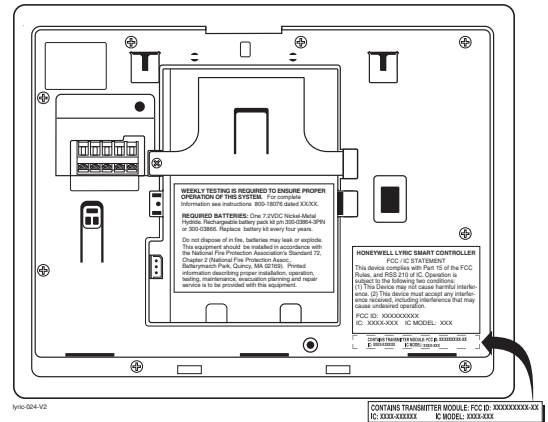
- Before performing the first time installation of the communication module, make sure power (both AC and battery) is removed from the controller and follow the **Installing the Module (First Time Installation)** steps.
- The initialization sequence for the LYRICLTE-V communication module may take up to 20 minutes. **Do not reset power during this time.**

Installing the Module (First Time Installation)

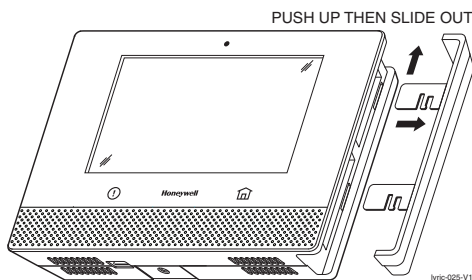
1. Install the provided FCC/IC label on the control's case back.
LYRICLTE-A & LYRICLTE-C: 800-22830 LYRICLTE-V: 800-22830-1
2. Remove bezel from right-hand side of control to expose the communication module slot. To remove the bezel, push upward then slide it out.
3. Insert the module into the slot. Push firmly to mate the edge connector.
4. Replace the bezel.

5. After all other connections are made, power up the controller.
Note: This sequence may take up to 20 minutes for the LYRICLTE-V communication module. **Do not reset power during this time.**

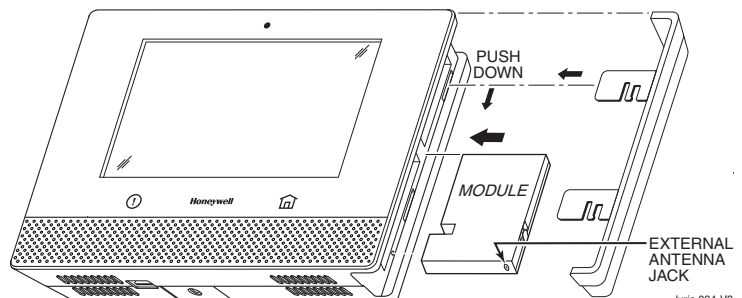
6. Program and register the module during the controller's initial association with its AlarmNet 360™ account. Refer to the controller's Programming Guide for details.



Typical FCC/IC Label Location



Removing the Bezel



Installing the communicator Module

7. Check the signal strength before permanently locating the Lyric Controller. See Checking Signal Strength section.
8. Test the communication paths.

Master User: Security – Tools – [Master code] – Advanced – Comm. Test

Installer: Security – Tools – [Installer code] – Program – Comm. Diagnostics - [V] – Test Communication

Press **Send Cellular Message**. Wait for “Ack Received” message.

Press **Send Ethernet Message**. Wait for “Ack Received” message.

“Ack Received” indicates successful communication.

If acknowledgement is not received, try one of the following:

- a. Use an external antenna (see Using an External Antenna section).
- b. Set the communication path to Wi-Fi-only.

Checking Signal Strength

When choosing a suitable mounting location, check the communicator's signal strength to ensure proper operation. For most installations, using the module's internal antenna, mounting the Lyric controller as high as practical, and avoiding large metal components provides adequate signal strength.

Use the Lyric Controller “Cellular Information” screen to display signal strength (in number of bars):

Security – Tools – [installer code] – Program – Comm. Diagnostics – Cellular Information

Compare the signal strength number of bars displayed to the Signal Strength Guide values at right to ensure adequate signal strength.

If using AlarmNet 360, check that the display is minimum 2 bars.

If necessary, relocate the Controller to obtain better signal strength (press **Cellular Information** again to refresh the reading).

If adequate signal strength cannot be achieved, an external antenna should be used. See **Using an External Antenna** section on the other side.

Signal Strength Guide

Panel display signal strength: range of 1-5 bars; should be minimum 2 bars

AlarmNet 360 Display: Must be minimum 2 bars lit.

Communication Module Replacement

This procedure is intended only for replacement of existing communication modules previously installed and registered in the Controller.

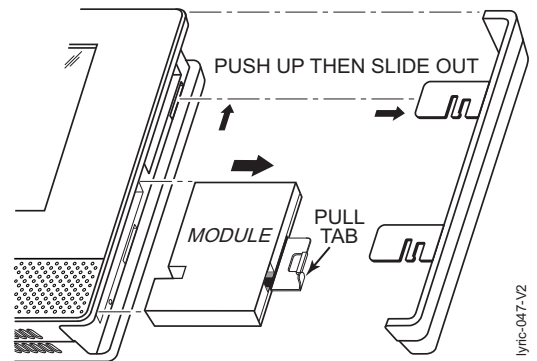
In the event the communication module needs to be replaced, the Lyric Controller must first be put in module replacement mode ("Install Cellular Module") to avoid causing a tamper alarm or damaging the module. Module replacement mode deactivates tamper protection and removes power from the module connector for about 15 minutes.

1. Select the **Install Cellular Module** button.

Master User: Security – Tools – [master code] – Advanced – Install Cellular Module

Installer: Security – Tools – [installer code] – Test – Install Cellular Module

- a. Select **Yes** at the prompt to continue.
 - b. A popup window displays steps for module replacement. Keep this window open until replacement is completed
2. Remove the side bezel. See diagram at right.
 3. Remove the communication module from its connection slot by using the pull tab.
 4. Insert the new module into the slot. Push firmly to mate the edge connector.
 5. Replace the bezel.
 6. When installation is complete, press **OK** at the replacement steps window. Confirmation of proper installation appears. Press **OK** to exit.
 7. Test the communication path. See step 8 in Installing the Module section.



Replacing the Module

Using an External Antenna

If adequate signal strength cannot be achieved with the internal antenna, an external antenna can be employed. A kit with an adapter cable, clamp, and bracket will be required. A connection diagram with the adapter kit and a typical antenna is provided with the kit.

IMPORTANT NOTE ABOUT EXTERNAL ANTENNAS

If an external cellular radio antenna is used, the antenna may be installed or replaced **ONLY** by a professional installer.

TO THE INSTALLER

LYRICLTE-A, LYRICLTE-C

This device is to be used in mobile or fixed applications only. For mobile and fixed operating configurations the antenna gain, including cable loss, must not exceed

3.25 dBi (US) or 0.6dBi (Canada) at 850 MHz, 5.5 dBi at 1700 MHz, 2.5dBi at 1900 MHz for satisfying RF exposure compliance. Under no conditions may an antenna gain be used that would exceed the ERP and EIRP power limits as specified in Part 22H and 24E and 27, and IC RSS-130, RSS-132, RSS-133, and RSS-139.

LYRICLTE-V

This device is to be used in mobile or fixed applications only. For mobile and fixed operating configurations the antenna gain, including cable loss, must not exceed 7.31 dBi at 780 MHz, 7.35 dBi at 1700 MHz for satisfying RF exposure compliance. Under no conditions may an antenna gain be used that would exceed the ERP and EIRP power limits as specified in Part 22H and 24E and 27.

RF Exposure

Warning – The antenna(s) used for this device must be installed to provide a separation distance of at least 7.8 inches (20 cm) from all persons and must not be co-located or operating in conjunction with any other antenna or transmitter except in accordance with FCC and ISED multi-transmitter product procedures.

Mise en Garde

Exposition aux Fréquences Radio : La/les antenne(s) utilisée(s) pour cet émetteur doit/doivent être installée(s) à une distance de séparation d'au moins 20 cm (7,8 pouces) de toute personne et ne pas être située(s) ni fonctionner parallèlement à tout autre transmetteur ou antenne, excepté en conformité avec les procédures de produit multi transmetteur FCC et ISED.

SUPPORT & WARRANTY

For the latest documentation & online support information, please go to:

<https://mywebtech.honeywellhome.com/>

For the latest warranty information, please go to:

<https://www.security.honeywellhome.com/hsc/resources/wa/index.html>

For patent information, please go to:

<https://www.resideo.com/patent>



The product should not be disposed of with other household waste. Check for the nearest authorized collection centers or authorized recyclers. The correct disposal of end-of-life equipment will help prevent potential negative consequences for the environment and human health.

Specifications

Dimensions: .. 2-5/8"W x 3-1/8"L x 1/2"D

Voltage Input .. 7.2VDC (provided by the controller)

Current

LYRICLTE-A / LYRICLTE-C:

Idle..... 45mA, standby

Transmit max. 245mA RMS

LYRICLTE-V:

Idle..... 33mA, standby

Transmit max. 326mA RMS

Environmental

Operating temperature: -20°C to +55°C,

(for compliance agency: 0°C to +49°C)

Storage temperature: -40° to +70°C

Humidity: 0 to 95% relative humidity, non-condensing

(for compliance agency 0% to 85%)

Frequency Bands

LYRICLTE-V:

LTE: Triple band, 700 (Bd13) / AWS (Bd4) / 1900MHz (Bd2)

LYRICLTE-A, LYRICLTE-C:

GSM/GPRS/EDGE: Quad band, 850/900/1800/1900MHz

UMTS/HSPA+: Triple band, 850 (BdV) / AWS (BdIV) / 1900MHz

(BdII)

LTE: Quad band, 700 (Bd17) / 850 (Bd5) / AWS (Bd4) / 1900MHz

(Bd2)

FEDERAL COMMUNICATIONS COMMISSION (FCC) & ISED STATEMENTS

The user shall not make any changes or modifications to the equipment unless authorized by the Installation Instructions or User's Manual. Unauthorized changes or modifications could void the user's authority to operate the equipment.

FCC / ISED STATEMENT

This device complies with Part 15 of the FCC Rules, and ISED's license-exempt RSSs. Operation is subject to the following two conditions: (1) This device may not cause harmful interference (2) This device must accept any interference received, including interference that may cause undesired operation.

Cet appareil est conforme à la partie 15 des règles de la FCC et exempt de licence RSS d'ISED. Son fonctionnement est soumis aux conditions suivantes: (1) Cet appareil ne doit pas causer d'interférences nuisibles. (2) Cet appareil doit accepter toute interférence reçue y compris les interférences causant une réception indésirable.

Responsible Party / Issuer of Supplier's Declaration of Conformity: Ademco Inc., a subsidiary of Resideo Technologies, Inc., 2 Corporate Center Drive., Melville, NY 11747, ph: 516-577-2000

This product manufactured by Resideo and its affiliates. The Honeywell Home Trademark is used under license from Honeywell International Inc.

resideo

2 Corporate Center Drive, Suite 100
P.O. Box 9040
Melville, NY 11747

© 2019 Resideo Technologies, Inc.

www.resideo.com



800-21995 2/17 Rev. E